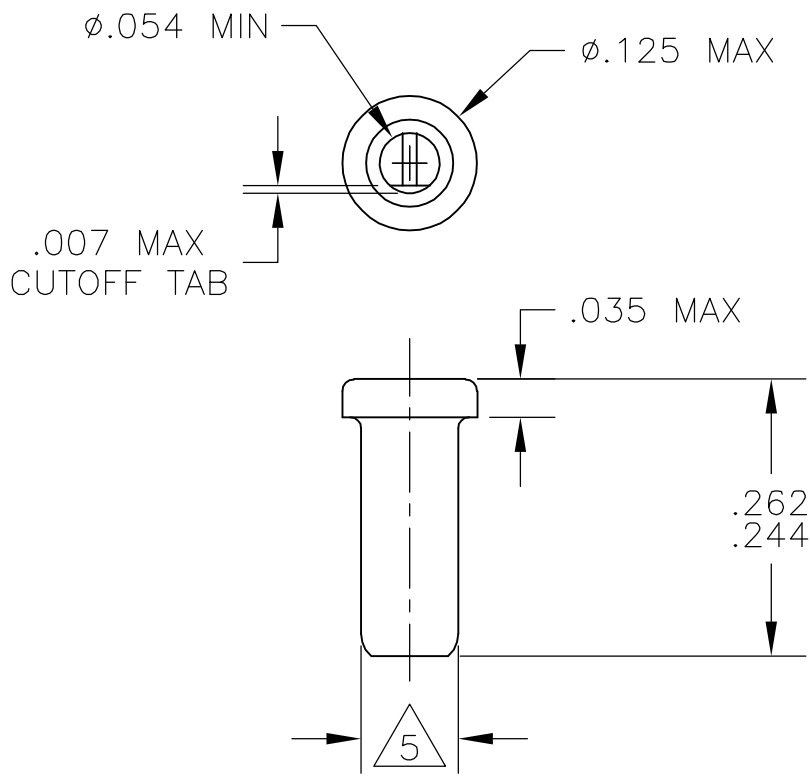
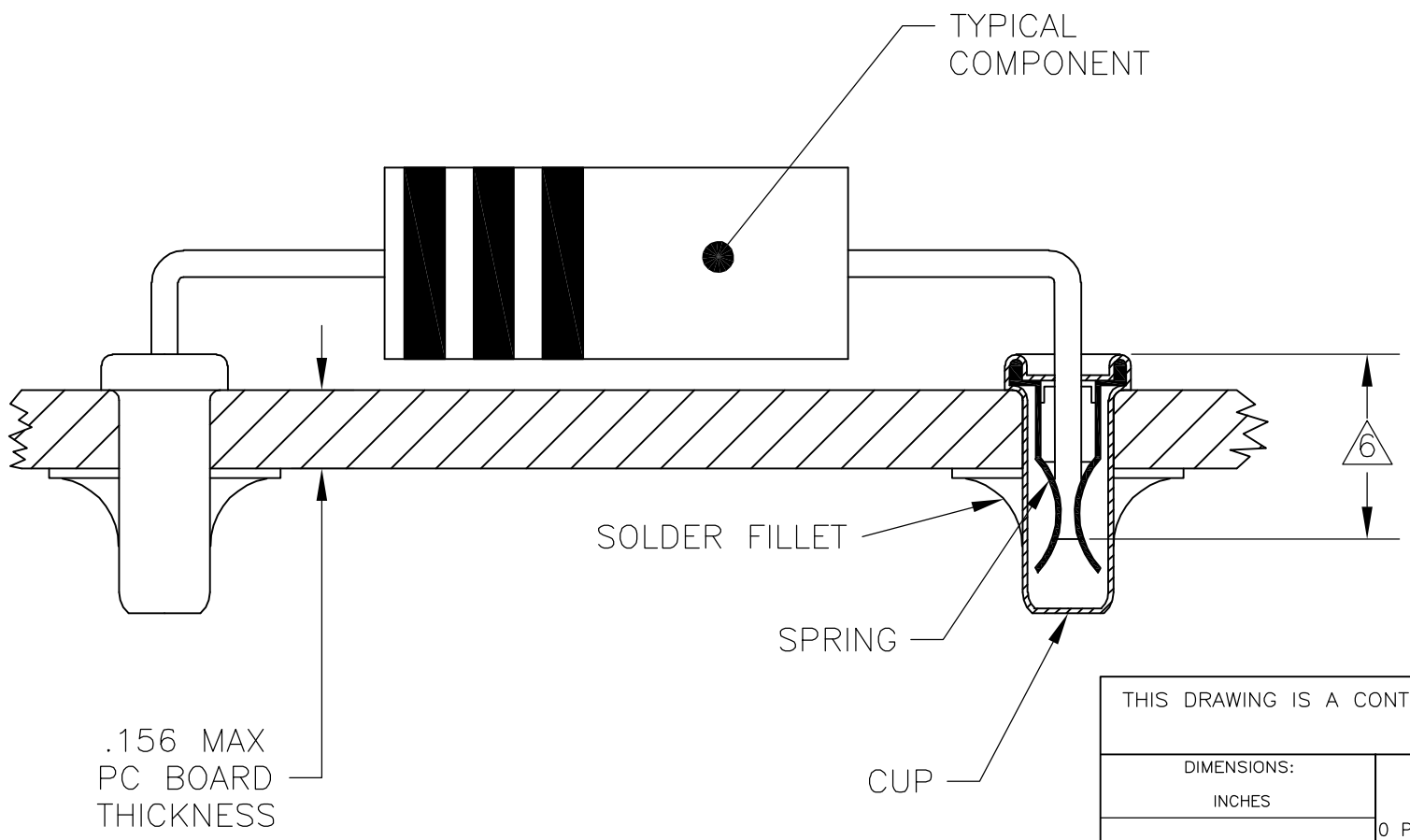


THIS DRAWING IS UNPUBLISHED. RELEASED FOR PUBLICATION  
 © COPYRIGHT - BY TYCO ELECTRONICS CORPORATION. ALL RIGHTS RESERVED.

LOC	DIST	REVISIONS			
P	LTR	DESCRIPTION	DATE	DWN	APVD
AG	67	A	REVISED PER ECO-06-001742	31JAN06	JDP JGH



- 1 MATERIALS:  
CUP: COPPER PER ASTM B 152  
SPRING: BERYLLIUM COPPER PER ASTM B 194
- 2 TIN PLATE PER ASTM B 545 .000080 MIN THICK.
- 3 GOLD PLATE PER ASTM B 488 .000030 MIN THICK OVER NICKEL PLATE PER QQ-N-290 IN CONTACT AREA.
- 4 TIN PLATE PER ASTM B 545 .000100 MIN THICK.
- 5 PART FITS INTO A #43 DRILLED HOLE ( $\phi.0890 \pm .0015$ ) FOR HAND INSERTION, AND A #44 DRILLED HOLE ( $\phi.0860 \pm .0015$ ) FOR MACHINE INSERTION.
- 6 .145 MIN INSERTION DEPTH REQUIRED FOR A RELIABLE CONNECTION.
- 7. SPRING TO BE SECURED IN CUP WITH NO SPRING ROTATION PERMISSIBLE.
- 8. ACCEPTS  $\phi.036-.054$  PIN.



TIN 4	GOLD 3	1-5380758-1
	TIN 2	1-5380758-0
CUP	SPRING	PART NO.
PLATING		

THIS DRAWING IS A CONTROLLED DOCUMENT.		DWN J. HAVENER 04NOV2005	Tyco Electronics Corporation Harrisburg, PA 17105-3608	
DIMENSIONS: INCHES		CHK J. HAVENER 04NOV2005		
TOLERANCES UNLESS OTHERWISE SPECIFIED:		APVD J. HAVENER 04NOV2005	NAME REUSABLE COMPONENT RECEPTACLE	
0 PLC ± - 1 PLC ± - 2 PLC ± - 3 PLC ± .015 4 PLC ± - ANGLES ± 1°		PRODUCT SPEC 108-1079	RESTRICTED TO	
MATERIAL 1		FINISH SEE TABLE	APPLICATION SPEC 114-1055	SIZE A3
			WEIGHT -	CAGE CODE 00779
			DRAWING NO C-5380758	
			SCALE NTS	
			SHEET 1 OF 1	
			REV A	